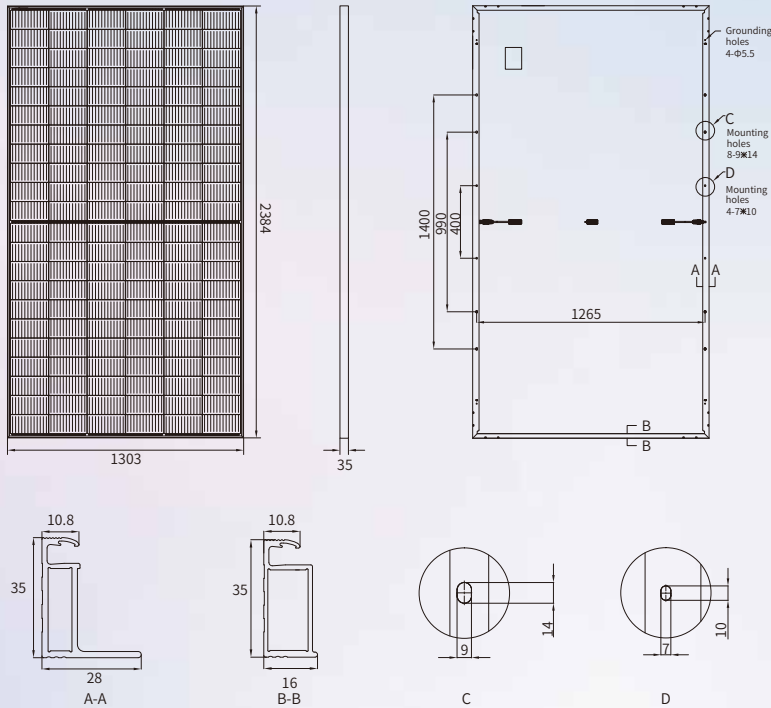


Super high power PERC solar module

JNMM132-655~675

ENGINEERING DRAWING



MECHANICAL PARAMETERS

Cell (mm)	210*105 PERC
Dimensions (L*W*H) (mm)	2384*1303*35
Weight (kg)	32.5
Cable Cross Section Size (mm ²)	4
No. of Cells & Connections	132(6*22)
No. of Diodes	3
Frame	Anodized Aluminium Alloy
Glass Thickness (mm)	3.2

QUALIFICATION

Temperature Cycling Range (°C)	-40~+85
Max. Series Fuse Rating (A)	30
Max.Wind Load/Max.Snow Load (Pa)	2400/5400
Hot Spot Rate	100%Free
Fire Rating	Class C
Junction Box & Connector Protection Grade	IP68

TEMPERATURE COEFFICIENTS

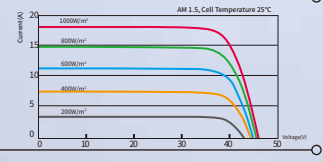
Nominal Module Operating Temperature (NMOT)	43±2°C
Temperature Coefficient Voltage (Voc)	-0.29 %/°C
Temperature Coefficient Current (Isc)	0.04 %/°C
Temperature Coefficient Power (Pm)	-0.34 %/°C

ELECTRICAL PARAMETERS

Module Type (1500V DC)	JNMM132-655	JNMM132-660	JNMM132-665	JNMM132-670	JNMM132-675	
STC AM1.5 1000W/m ² Cell Temperature 25°C	Max. Power at STC (Pmpp/W)	655	660	665	670	675
	Output Tolerance (W)	0+5	0+5	0+5	0+5	0+5
	Max. Power Voltage (Vmp/V)	37.65	37.85	38.02	38.20	38.38
	Max. Power Current (Imp/A)	17.40	17.44	17.49	17.54	17.59
	Open Circuit Voltage (Voc/V)	45.43	45.65	45.87	46.09	46.30
	Short Circuit Current (Isc/A)	18.47	18.52	18.57	18.62	18.67
NMOT AM1.5 800W/m ² Ambient Temperature 20°C Wind Speed 1m/s	Module Efficiency (%)	21.09	21.25	21.41	21.57	21.73
	Max. Power (Pmpp/W)	495.5	499.3	503.1	506.8	510.6
	Max. Power Voltage (Vmp/V)	35.60	35.79	35.95	36.12	36.29
	Max. Power Current (Imp/A)	13.92	13.95	13.99	14.03	14.07
	Open Circuit Voltage (Voc/V)	42.89	43.10	43.30	43.51	43.71
	Short Circuit Current (Isc/A)	14.87	14.91	14.95	14.99	15.03

*Measurement tolerance: Pmax:±3%, Voc:±3%; Isc: ±5%.

I-V CURVE (665W)



PACKING CONFIGURATION

Pieces Per Pallet	31
Pallets Per Container	18
Pieces Per Container	558

Default

Optional

Connector Type	<input type="checkbox"/> MC4 Compatible	<input type="checkbox"/> MC4
Cable Length	<input type="checkbox"/> 400mm/300mm	<input type="checkbox"/> Customized
Frame Color	<input type="checkbox"/> Silver	<input type="checkbox"/> Black

TUV: IEC/EN 61215, IEC/EN 61730
 GB/T 19001-2016/ISO 9001:2015
 GB/T 24001-2016/ISO 14001:2015
 GB/T 45001-2020/ISO 45001:2018
 CNAS-CL01: ISO/IEC 17025:2017
 CAUTION: The electrical parameters in this product datasheet do not refer to only one module. Read safety and installation instructions before using the product.
 The contents of this specification are for reference only and are subject to change without notice. Jinery reserves the right of final interpretation.
 JNM-20230428-11.00 © 2023 (1) JINNING CLEAN ENERGY TECHNOLOGY LTD. ALL RIGHTS RESERVED.

12-year Product materials and workmanship quality warranty

Output power	The 1st year	The 12th year	The 25th year
	≥98.00%	≥91.95%	≥84.80%

